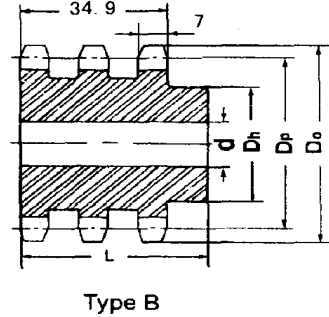
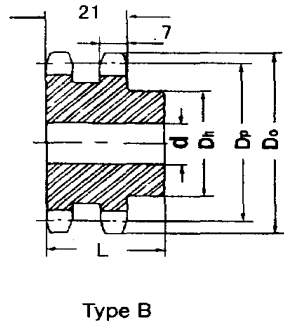
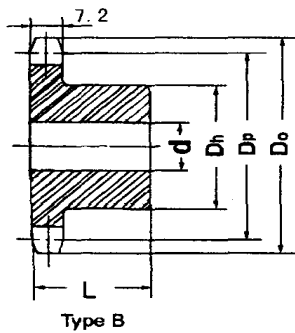
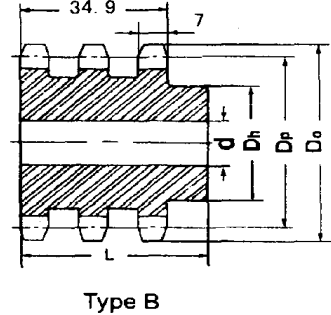
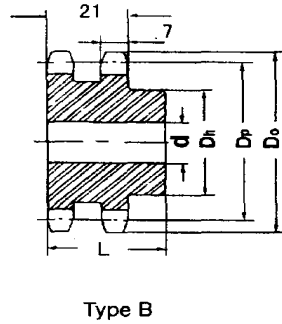
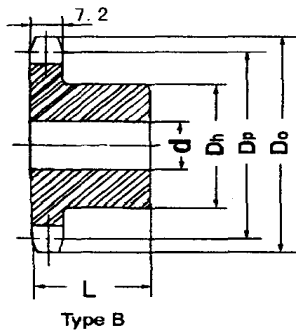


## 08B sprockets (1/2" Pitch)



No of Teeth	Pitch Dia Dp	Outside Dia Do	SINGLE-TYPE			DOUBLE-TYPE			TRIPLE-TYPE		
			Bore d	Hub Dh	L	Bore d	Hub Dh	L	Bore d	Hub Dh	L
8	33.18	37.2	10	20	25	10	20	32	10	20	46
9	37.13	41.0	10	24	25	10	24	32	12	24	46
10	41.10	45.2	10	26	25	10	28	32	12	28	46
11	45.07	48.7	10	29	25	12	32	35	16	32	50
12	49.07	53.0	10	33	28	12	35	35	16	35	50
13	53.06	57.4	10	37	28	12	38	35	16	38	50
14	57.07	61.8	10	41	28	12	42	35	16	42	50
15	61.09	65.5	10	45	28	12	46	35	16	46	50
16	65.10	69.5	12	50	28	14	50	38	16	50	50
17	69.11	73.6	12	52	28	14	54	38	16	54	50
18	73.14	77.8	12	56	28	14	58	38	16	58	50
19	77.16	81.7	12	60	28	14	62	38	16	62	50
20	81.19	85.8	12	64	28	14	66	38	16	66	50
21	85.22	89.7	14	68	28	16	70	40	20	70	55
22	89.24	93.8	14	70	28	16	70	40	20	70	55
23	93.27	98.2	14	70	28	16	70	40	20	70	55
24	97.29	101.8	14	70	28	16	75	40	20	75	55
25	101.33	105.8	14	70	28	16	80	40	20	80	55
26	105.36	110.0	16	70	30	20	85	40	20	85	55
27	109.40	114.0	16	70	30	20	85	40	20	85	55
28	113.42	118.0	16	70	30	20	90	40	20	90	55
29	117.46	122.0	16	80	30	20	95	40	20	95	55
30	121.50	126.1	16	80	30	20	100	40	20	100	55
31	125.54	130.2	16	90	30	20	100	40	20	110	55
32	129.56	134.3	16	90	30	20	100	40	20	110	55
33	133.60	138.4	16	90	30	20	100	40	20	110	55
34	137.64	142.6	16	90	30	20	100	40	20	110	55
35	141.68	146.7	16	90	30	20	100	40	20	110	55
36	145.72	151.0	20	90	35	20	100	40	25	120	55
37	149.76	154.6	20	90	35	20	100	40	25	120	55
38	153.80	158.6	20	90	35	20	100	40	25	120	55
39	157.83	162.7	20	90	35	20	100	40	25	120	55
40	161.87	166.8	20	90	35	20	100	40	25	120	55

## 08B sprockets (1/2" Pitch)



No of Teeth	Pitch Dia Dp	Outside Dia Do	SINGLE-TYPE			DOUBLE-TYPE			TRIPLE-TYPE		
			Bore d	Hub Dh	L	Bore d	Hub Dh	L	Bore d	Hub Dh	L
42	169.95	175.4	20	90	40	20	108	50	25	120	60
45	182.07	188.0	20	90	40	20	108	50	25	120	60
46	186.10	192.1	20	90	40	20	108	50	25	120	60
48	194.18	200.3	20	90	40	20	108	50	25	120	60
50	202.26	208.3	20	90	40	20	108	50	25	120	60
55	222.46	228.1	20	90	40	25	108	50	25	120	60
57	230.54	236.4	20	90	40	25	108	50	25	120	60
60	242.66	248.6	20	90	40	25	108	50	25	120	60
76	307.33	313.3	25	90	40	25	108	55	25	120	60
95	384.11	390.1	25	90	40	25	108	55	25	120	60
114	460.90	466.9	25	90	40	25	108	55	25	120	60