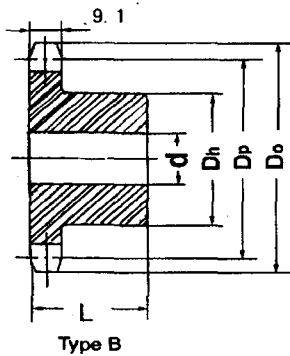
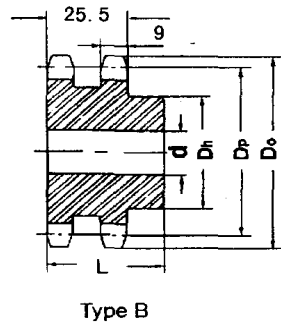


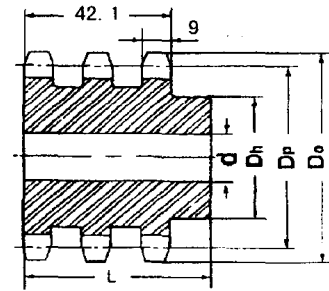
10B sprockets (5/8" Pitch)



Type B



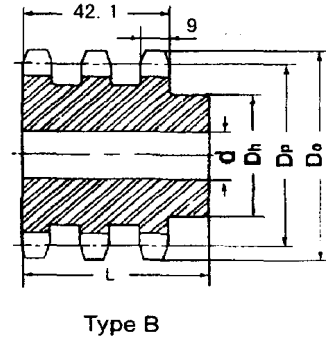
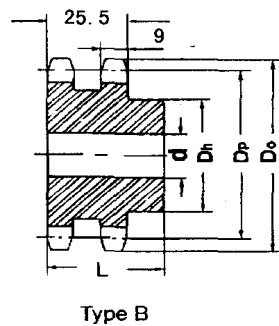
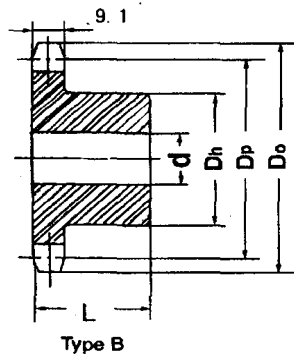
Type B



Type B

No of Teeth	Pitch Dia Dp	Outside Dia Do	SINGLE-TYPE			DOUBLE-TYPE			TRIPLE-TYPE		
			Bore d	Hub Dh	L	Bore d	Hub Dh	L	Bore d	Hub Dh	L
8	41.48	47.0	10	25	25	12	25	40	12	25	55
9	46.42	52.6	10	30	25	12	30	40	12	30	55
10	51.37	57.5	10	35	25	12	35	40	16	35	55
11	56.34	63.0	12	37	30	14	39	40	16	39	55
12	61.34	68.0	12	42	30	14	44	40	16	44	55
13	66.32	73.0	12	47	30	14	49	40	16	49	55
14	71.34	78.0	12	52	30	14	54	40	16	54	55
15	76.36	83.0	12	57	30	14	59	40	16	59	55
16	81.37	88.0	14	60	30	16	64	45	16	64	60
17	86.39	93.0	14	60	30	16	69	45	16	69	60
18	91.42	98.3	14	70	30	16	74	45	16	74	60
19	96.45	103.3	14	70	30	16	79	45	16	79	60
20	101.49	108.4	14	75	30	16	84	45	16	84	60
21	106.52	113.4	16	75	30	16	85	45	20	85	60
22	111.55	118.0	16	80	30	16	90	45	20	90	60
23	116.58	123.4	16	80	30	16	95	45	20	95	60
24	121.62	128.3	16	80	30	16	100	45	20	100	60
25	126.66	134.0	16	80	30	16	105	45	20	105	60
26	131.70	139.0	20	85	35	20	110	45	20	110	60
27	136.75	144.0	20	85	35	20	110	45	20	110	60
28	141.78	148.7	20	90	35	20	115	45	20	115	60
29	146.83	153.8	20	90	35	20	115	45	20	115	60
30	151.87	158.8	20	90	35	20	120	45	20	120	60
31	156.92	163.9	20	95	35	20	120	45	20	120	60
32	161.95	168.9	20	95	35	20	120	45	20	120	60
33	167.00	174.5	20	95	35	20	120	45	20	120	60
34	172.05	179.0	20	95	35	20	120	45	20	120	60
35	177.10	184.1	20	95	35	20	120	45	20	120	60
36	182.15	189.1	20	100	35	20	120	45	25	120	60
37	187.20	194.2	20	100	35	20	120	45	25	120	60
38	192.24	199.2	20	100	35	20	120	45	25	120	60
39	197.29	204.2	20	100	35	20	120	45	25	120	60
40	202.34	209.3	20	100	35	20	120	45	25	120	60

10B sprockets (5/8" Pitch)



SPROCKETS NZ

No of Teeth	Pitch Dia Dp	Outside Dia Do	SINGLE-TYPE			DOUBLE-TYPE			TRIPLE-TYPE		
			Bore d	Hub Dh	L	Bore d	Hub Dh	L	Bore d	Hub Dh	L
42	212.44	219.9	20	100	40	20	120	50	25	130	60
45	227.58	235.0	20	100	40	20	120	50	25	130	60
46	232.63	240.1	20	100	40	25	120	50	25	130	60
48	242.73	250.2	20	100	40	25	120	50	25	130	60
50	252.82	260.3	20	100	40	25	120	50	25	130	60
55	278.08	285.5	20	100	40	25	120	50	25	130	60
57	288.18	296.0	25	100	40	25	120	50	25	130	60
60	303.32	310.8	25	100	43	25	120	63	25	130	64
76	384.16	392.1	25	100	43	25	120	63	30	130	67
95	480.14	488.5	30	100	50	30	120	63	30	130	67
114	576.13	584.1	30	100	50	30	120	63	30	130	67