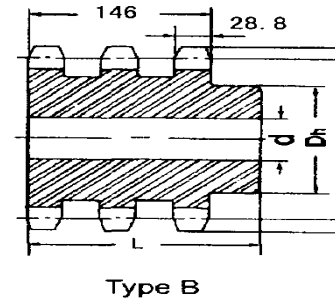
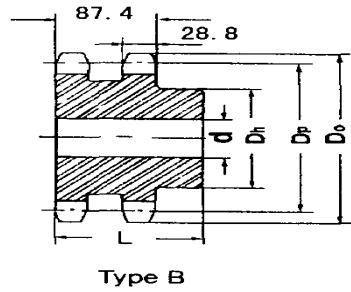
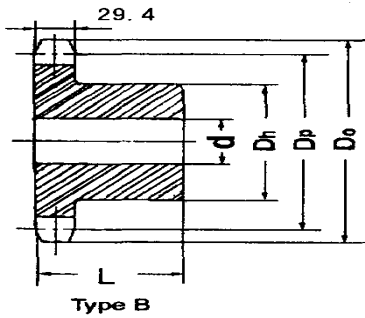


32B sprockets (2" Pitch)



No of Teeth	Pitch Dia Dp	Outside Dia Do	SINGLE-TYPE			DOUBLE-TYPE			TRIPLE-TYPE		
			Bore d	Hub Dh	L	Bore d	Hub Dh	L	Bore d	Hub Dh	L
8	132.74	153.2	30	85	80	30	85	120	30	85	180
9	148.54	169.0	30	100	80	30	100	120	30	100	180
10	164.39	185.0	30	115	80	30	115	120	30	115	180
11	180.31	200.8	30	125	80	35	125	120	35	125	180
12	196.29	216.8	30	133	80	35	133	120	35	133	180
13	212.29	232.8	30	145	80	35	145	120	35	145	180
14	228.29	248.8	30	155	80	35	155	120	35	155	180
15	244.30	264.8	30	160	80	35	160	120	35	160	180
16	260.40	280.9	30	160	90	40	160	120	40	160	180
17	276.46	296.9	30	170	90	40	160	120	40	180	180
18	292.55	313.0	30	170	90	40	180	120	40	180	180
19	308.66	329.1	30	170	90	40	180	120	40	200	180
20	324.71	345.2	30	180	90	40	200	120	40	200	180
21	340.82	361.3	40	180	90	40	200	120	40	200	180
22	356.98	377.5	40	180	90	40	200	120	40	200	180
23	373.08	393.6	40	180	90	40	200	120	40	200	180
24	389.18	409.7	40	180	90	40	200	120	40	200	180
25	405.33	425.8	40	180	90	40	200	120	40	200	180
26	421.44	441.9	40	180	90	40	200	120	40	200	180
27	437.59	458.1	40	180	90	40	200	120	40	200	180
28	453.69	474.2	40	180	90	40	200	120	40	200	180
29	469.85	492.0	40	180	90						
30	486.00	506.5	40	180	90	40	200	120	40	200	180
32	518.27	538.8	40	180	90						
35	566.71	589.5	40	180	90						
38	615.16	635.5	40	180	90						
40	647.47	670.3	40	180	90						