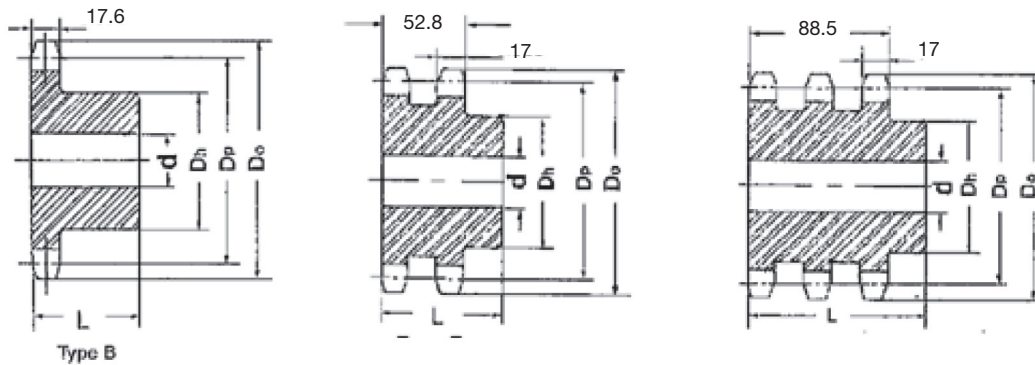


ASA100 sprockets (1 ¼" pitch)



| No of Teeth | Pitch Dia Dp | Outside Dia Do | SINGLE-TYPE | | | DOUBLE-TYPE | | | TRIPLE-TYPE | | |
|-------------|--------------|----------------|-------------|--------|------|-------------|--------|-------|-------------|--------|-------|
| | | | Bore d | Hub Dh | L | Bore d | Hub Dh | L | Bore d | Hub Dh | L |
| 9 | 92.83 | 106.17 | 25.4 | 71.4 | 47.6 | 25.4 | 60.3 | 73.0 | | | |
| 10 | 102.74 | 116.84 | 25.4 | 82.5 | 47.6 | 25.4 | 69.8 | 73.0 | | | |
| 11 | 112.72 | 127.25 | 25.4 | 90.4 | 47.6 | 25.4 | 79.3 | 73.0 | 25.4 | 79.3 | 107.9 |
| 12 | 122.68 | 137.66 | 25.4 | 101.6 | 47.6 | 28.5 | 85.7 | 73.0 | 28.5 | 85.7 | 107.9 |
| 13 | 132.68 | 147.82 | 25.4 | 98.4 | 41.2 | 28.5 | 96.8 | 73.0 | 28.5 | 96.8 | 107.9 |
| 14 | 142.69 | 158.24 | 31.7 | 106.3 | 41.2 | 28.5 | 106.3 | 73.0 | 28.5 | 106.3 | 107.9 |
| 15 | 152.73 | 168.40 | 31.7 | 114.3 | 44.4 | 31.7 | 117.4 | 79.3 | 31.7 | 117.4 | 114.3 |
| 16 | 162.76 | 178.56 | 33.3 | 114.3 | 44.4 | 31.7 | 127 | 79.3 | 31.7 | 127 | 114.3 |
| 17 | 172.79 | 188.97 | 33.3 | 114.3 | 44.4 | 31.7 | 133.3 | 79.3 | 31.7 | 133.3 | 114.3 |
| 18 | 182.85 | 199.13 | 33.3 | 114.3 | 44.4 | 31.7 | 133.3 | 79.3 | 31.7 | 133.3 | 120.6 |
| 19 | 192.91 | 209.29 | 33.3 | 114.3 | 50.8 | 31.7 | 139.7 | 85.7 | 31.7 | 139.7 | 120.6 |
| 20 | 202.94 | 219.45 | 33.3 | 114.3 | 50.8 | 31.7 | 139.7 | 85.7 | 31.7 | 139.7 | 120.6 |
| 21 | 213.05 | 229.61 | 33.3 | 114.3 | 50.8 | 31.7 | 139.7 | 85.7 | 31.7 | 139.7 | 120.6 |
| 22 | 223.11 | 239.77 | 33.3 | 114.3 | 50.8 | 31.7 | 139.7 | 85.7 | 31.7 | 139.7 | 120.6 |
| 23 | 233.17 | 249.93 | 31.7 | 114.3 | 50.8 | 31.7 | 139.7 | 85.7 | 31.7 | 146.0 | 120.6 |
| 24 | 243.23 | 260.35 | 31.7 | 114.3 | 50.8 | 31.7 | 146.0 | 85.7 | 31.7 | 146.0 | 120.6 |
| 25 | 253.33 | 270.51 | 31.7 | 114.3 | 50.8 | 31.7 | 146.0 | 85.7 | 31.7 | 146.0 | 120.6 |
| 26 | 263.39 | 280.67 | 31.7 | 127 | 50.8 | 38.1 | 146.0 | 85.7 | 38.1 | 146.0 | 120.6 |
| 27 | 273.50 | 290.57 | 31.7 | 127 | 50.8 | 38.1 | 146.0 | 85.7 | 38.1 | 146.0 | 120.6 |
| 28 | 283.56 | 300.73 | 31.7 | 127 | 50.8 | 38.1 | 146.0 | 85.7 | 38.1 | 146.0 | 120.6 |
| 29 | 293.64 | 310.89 | 31.7 | 127 | 50.8 | 38.1 | 146.0 | 85.7 | 38.1 | 146.0 | 120.6 |
| 30 | 303.75 | 321.05 | 31.7 | 127 | 50.8 | 38.1 | 146.0 | 85.7 | 38.1 | 146.0 | 120.6 |
| 32 | 323.92 | 341.37 | 31.7 | 127 | 50.8 | 38.1 | 146.0 | 85.7 | 38.1 | 146.0 | 120.6 |
| 33 | 334.01 | 351.53 | 31.7 | 127 | 50.8 | 38.1 | 146.0 | 85.7 | 38.1 | 146.0 | 120.6 |
| 35 | 354.20 | 371.85 | 31.7 | 127 | 50.8 | 38.1 | 152.4 | 107.9 | 38.1 | 152.4 | 152.4 |
| 36 | 364.31 | 382.01 | 31.7 | 127 | 63.5 | 38.1 | 152.4 | 107.9 | 38.1 | 152.4 | 152.4 |
| 38 | 384.50 | 402.33 | 31.7 | 127 | 63.5 | 38.1 | 152.4 | 107.9 | 38.1 | 152.4 | 152.4 |
| 40 | 404.69 | 422.40 | 31.7 | 127 | 63.5 | | | | | | |
| 42 | 424.89 | 442.72 | 31.7 | 127 | 63.5 | | | | | | |
| 45 | 455.16 | 473.20 | 38.1 | 127 | 63.5 | | | | | | |