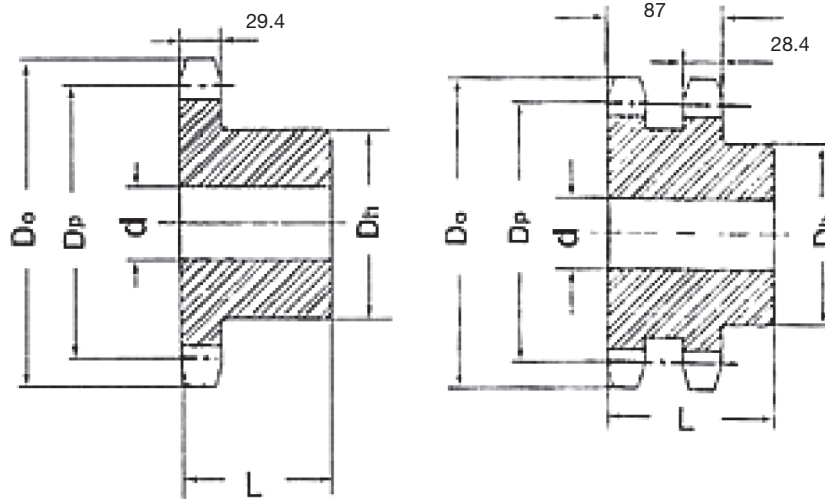


## ASA160 sprockets (2" Pitch)



No of Teeth	Pitch Dia Dp	Outside Dia Do	SINGLE-TYPE			DOUBLE-TYPE		
			Bore d	Hub Dh	L	Bore d	Hub Dh	L
9	148.53	170.18	38.1	92.0	57.1			
10	164.38	186.94	38.1	104.7	57.1			
11	180.34	203.45	38.1	120.6	63.5			
12	196.29	219.96	38.1	139.7	63.5			
13	212.29	236.47	38.1	152.4	69.8	50.8	152.4	120.6
14	228.29	252.98	38.1	165.1	69.8	50.8	171.4	120.6
15	244.34	269.49	38.1	177.8	69.8	50.8	177.8	120.6
16	260.40	286.00	38.1	177.8	69.8	50.8	177.8	120.6
17	275.43	302.26	38.1	177.8	69.8	50.8	177.8	120.6
18	292.55	318.51	38.1	177.8	69.8	50.8	177.8	120.6
19	308.66	335.02	38.1	177.8	69.8	50.8	177.8	120.6
20	324.71	351.28	38.1	177.8	69.8	50.8	177.8	120.6
21	340.86	367.53	38.1	177.8	69.8	50.8	190.5	120.6
22	356.97	383.79	38.1	177.8	69.8	50.8	190.5	120.6
23	373.07	400.05	38.1	177.8	69.8	50.8	190.5	120.6
24	389.17	416.30	38.1	177.8	76.2	50.8	190.5	120.6
25	405.33	432.56	38.1	177.8	76.2	50.8	190.5	120.6
26	421.43	448.81	38.1	177.8	76.2	50.8	190.5	120.6
27	437.59	465.07	38.1	177.8	76.2	50.8	190.5	120.6
28	453.69	481.33	38.1	177.8	76.2			
30	486.00	531.84	38.1	177.8	76.2			
38	615.10	634.50	38.1	177.8	76.2			
45	728.26	756.92	38.1	177.8	76.2			