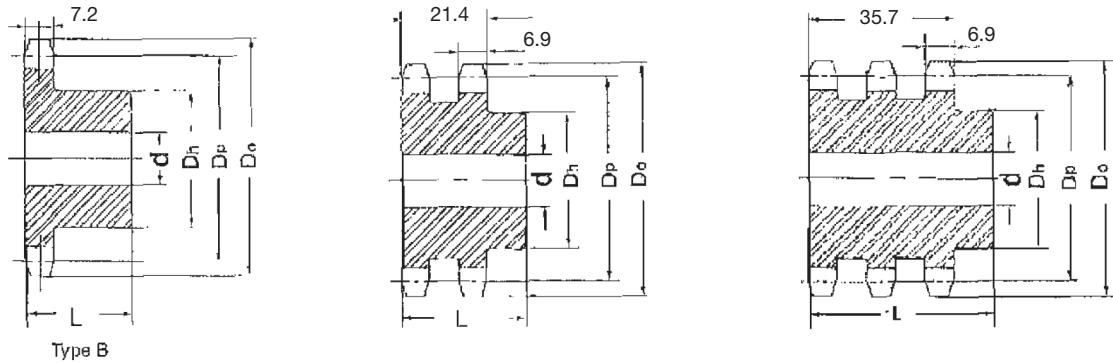
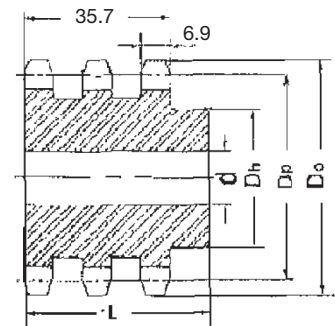
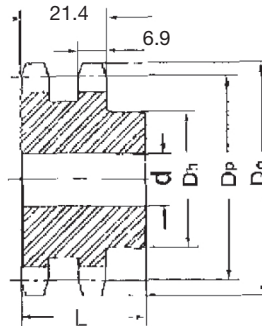
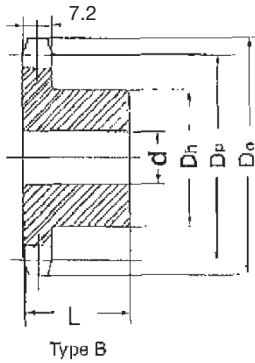


ASA40 sprockets (1/2" Pitch)



| No of Teeth | Pitch Dia Dp | Outside dia Do | SINGLE-TYPE | | | DOUBLE-TYPE | | | TRIPLE-TYPE | | |
|-------------|--------------|----------------|-------------|--------|------|-------------|--------|------|-------------|--------|------|
| | | | Bore d | Hub Dh | L | Bore d | Hub Dh | L | Bore d | Hub Dh | L |
| 9 | 37.13 | 42.41 | 12.7 | 26.9 | 22.2 | | | | | | |
| 10 | 41.09 | 46.73 | 12.7 | 31.7 | 22.2 | | | | | | |
| 11 | 45.08 | 50.80 | 12.7 | 34.9 | 22.2 | 12.7 | 36.5 | 38.1 | 12.7 | 36.5 | 53.9 |
| 12 | 49.07 | 55.11 | 12.7 | 39.6 | 22.2 | 12.7 | 39.6 | 38.1 | 12.7 | 39.6 | 53.9 |
| 13 | 53.06 | 59.18 | 12.7 | 39.6 | 22.2 | 12.7 | 38.1 | 38.1 | 12.7 | 38.1 | 53.9 |
| 14 | 57.07 | 63.24 | 12.7 | 42.8 | 22.2 | 12.7 | 42.8 | 38.1 | 12.7 | 42.8 | 53.9 |
| 15 | 61.08 | 67.31 | 12.7 | 46.0 | 22.2 | 12.7 | 46.0 | 38.1 | 12.7 | 46.0 | 53.9 |
| 16 | 65.10 | 71.37 | 15.8 | 50.8 | 22.2 | 15.8 | 50.8 | 38.1 | 15.8 | 50.8 | 53.9 |
| 17 | 69.11 | 75.69 | 15.8 | 53.9 | 25.4 | 15.8 | 53.9 | 38.1 | 15.8 | 53.9 | 53.9 |
| 18 | 73.12 | 79.75 | 15.8 | 58.7 | 25.4 | 15.8 | 58.7 | 38.1 | 15.8 | 58.7 | 53.9 |
| 19 | 77.16 | 83.82 | 15.8 | 63.5 | 25.4 | 15.8 | 63.5 | 38.1 | 15.8 | 63.5 | 53.9 |
| 20 | 81.17 | 87.88 | 15.8 | 66.6 | 25.4 | 15.8 | 66.6 | 41.2 | 15.8 | 66.6 | 57.1 |
| 21 | 85.21 | 91.94 | 15.8 | 69.8 | 25.4 | 15.8 | 69.8 | 41.2 | 15.8 | 69.8 | 57.1 |
| 22 | 89.23 | 96.01 | 15.8 | 73.0 | 25.4 | 15.8 | 73.0 | 41.2 | 15.8 | 73.0 | 57.1 |
| 23 | 93.26 | 100.07 | 15.8 | 76.2 | 25.4 | 15.8 | 76.2 | 41.2 | 15.8 | 76.2 | 57.1 |
| 24 | 97.30 | 104.14 | 15.8 | 82.5 | 25.4 | 15.8 | 82.5 | 41.2 | 15.8 | 82.5 | 57.1 |
| 25 | 101.32 | 108.20 | 15.8 | 82.5 | 25.4 | 15.8 | 82.5 | 41.2 | 15.8 | 82.5 | 57.1 |
| 26 | 105.35 | 112.26 | 15.8 | 82.5 | 25.4 | 15.8 | 82.5 | 41.2 | 15.8 | 82.5 | 57.1 |
| 27 | 109.39 | 116.33 | 15.8 | 82.5 | 25.4 | 15.8 | 82.5 | 41.2 | 15.8 | 82.5 | 57.1 |
| 28 | 113.43 | 120.39 | 15.8 | 82.5 | 25.4 | 15.8 | 82.5 | 41.2 | 15.8 | 82.5 | 57.1 |
| 30 | 121.48 | 128.52 | 15.8 | 82.5 | 25.4 | 22.2 | 82.5 | 41.2 | 22.2 | 82.5 | 57.1 |
| 31 | 125.52 | 132.58 | 15.8 | 82.5 | 25.4 | 22.2 | 82.5 | 41.2 | 22.2 | 82.5 | 57.1 |
| 32 | 129.56 | 136.65 | 15.8 | 82.5 | 25.4 | 22.2 | 82.5 | 41.2 | 22.2 | 82.5 | 57.1 |
| 35 | 141.68 | 148.84 | 15.8 | 82.5 | 25.4 | 22.2 | 82.5 | 41.2 | 22.2 | 82.5 | 57.1 |
| 36 | 145.71 | 152.90 | 15.8 | 82.5 | 25.4 | 23.8 | 95.2 | 41.2 | 23.8 | 95.2 | 60.3 |
| 38 | 153.77 | 160.78 | 15.8 | 82.5 | 25.4 | 23.8 | 95.2 | 41.2 | 23.8 | 95.2 | 60.3 |
| 40 | 161.87 | 168.91 | 19.0 | 88.9 | 28.5 | 23.8 | 95.2 | 44.4 | 23.8 | 95.2 | 60.3 |

ASA40 sprockets (1/2" Pitch)



| No of Teeth | Pitch Dia Dp | Outside dia Do | SINGLE-TYPE | | | DOUBLE-TYPE | | | TRIPLE-TYPE | | |
|-------------|--------------|----------------|-------------|--------|------|-------------|--------|------|-------------|--------|------|
| | | | Bore d | Hub Dh | L | Bore d | Hub Dh | L | Bore d | Hub Dh | L |
| 45 | 182.06 | 189.23 | 19.0 | 88.9 | 28.5 | 23.8 | 95.2 | 44.4 | 23.8 | 95.2 | 60.3 |
| 50 | 202.26 | 209.55 | 19.0 | 88.9 | 28.5 | 23.8 | 95.2 | 44.4 | 23.8 | 95.2 | 60.3 |
| 57 | 230.54 | 237.74 | 19.0 | 88.9 | 28.5 | 23.8 | 95.2 | 44.4 | 23.8 | 95.2 | 60.3 |
| 76 | 307.32 | 314.70 | 19.0 | 101.6 | 31.7 | 30.1 | 107.9 | 53.9 | 31.7 | 101.6 | 66.6 |
| 95 | 384.11 | 391.41 | 25.4 | 101.6 | 31.7 | 30.1 | 107.9 | 53.9 | 31.7 | 107.9 | 69.8 |
| 114 | 460.91 | 468.37 | 25.4 | 101.6 | 31.7 | 30.1 | 107.9 | 53.9 | 31.7 | 107.9 | 69.8 |