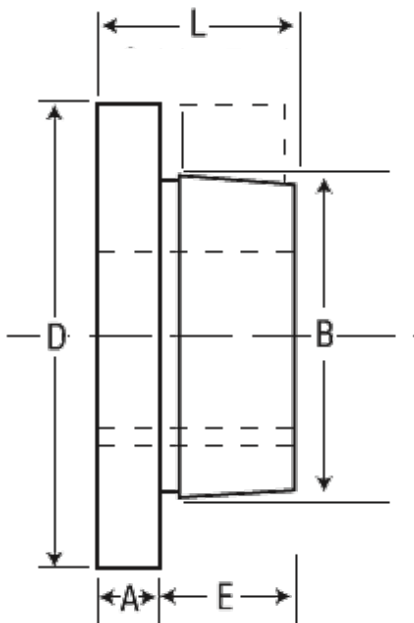


QD Bushes

Our QD bushes are used throughout the industry offering convenience and design flexibility. The taper-bored "QD" item easily fits over the tapered bush and tightening of the cap screws produces a tight fit on the shaft. The bush is easily removed from the hub by using the pull-up bolts as jack screws. All our QD bushes are available in pilot bore, and can be re-bored to suit the shaft requirements



Part No.	Max Bore mm	Outside Dia D	L	A	E	B	NO. Bolts	P.C.D
JA	25	50.5	35.4	7.2	16.6	34.2	2	50.8
QH	30	63.7	34.4	8.8	24.4	41.1	3	42.2
SH	35	68.3	31.9	9.7	21.1	47.3	3	57.2
SDS	41	80.9	33.3	11.1	19.4	55.5	3	68.3
SD	34	80.9	46.1	11.1	32.4	55.5	3	68.3
SK	54	98.2	47.5	12.7	32.2	71.4	3	84.1
SF	59	118.3	50.8	12.7	35.3	79.4	3	98.3
E	73	152.3	66.5	19.4	47.2	96.8	3	127.0
F	83	168.6	95.7	25.4	69.5	112.4	3	142.9