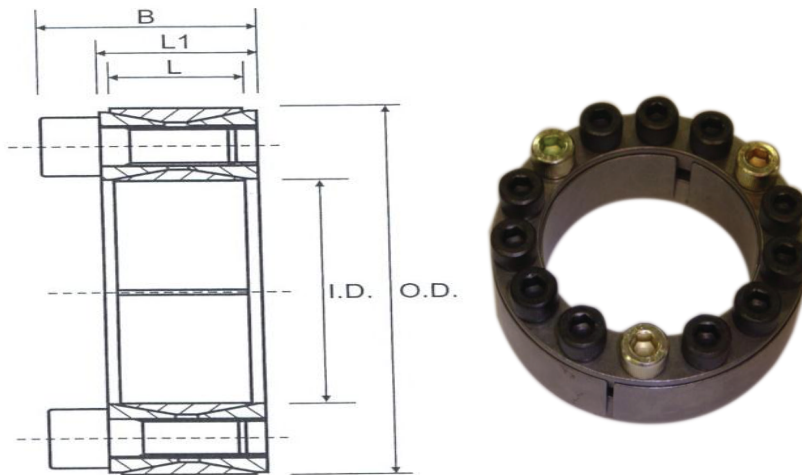


Locking Bush

CL2 (not self – centering)

Cone clamping unit consists of four pieces with two inside double cone-rings joined through a set of tightening screws. It is recommended for medium to high torques and although it is not self-centering, it can be easily assembled and disassembled. Available for shaft diameters from 20 to 900mm.



Characteristics

Medium – high torque
Wide tolerances
Easy dismantling

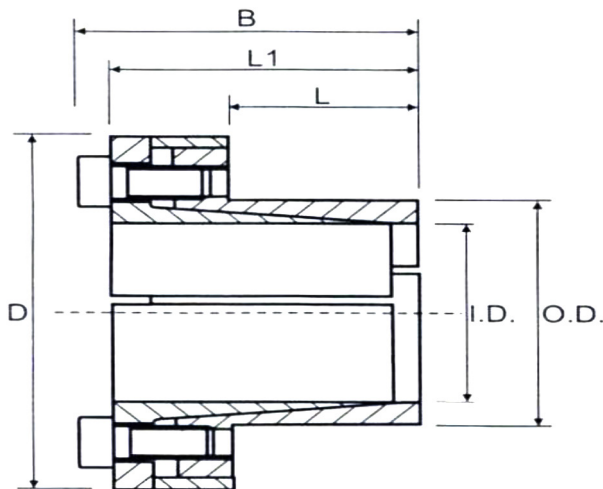
Torque =
Maximum transmittable torque when axial force is zero.
Axial Force =
Maximum axial force when transmittable torque is zero.

| Part No | I.D | O.D | L | L1 | B | Torque Nm | Axial Force N |
|-------------|-----|-----|----|----|------|-----------|---------------|
| CL2-24/50 | 24 | 50 | 17 | 20 | 27.5 | 370 | 32000 |
| CL2-25/50 | 25 | 50 | 17 | 20 | 27.5 | 400 | 32000 |
| CL2-30/55 | 30 | 55 | 17 | 20 | 27.5 | 530 | 36000 |
| CL2-35/60 | 35 | 60 | 17 | 20 | 27.5 | 750 | 43000 |
| CL2-38/65 | 38 | 65 | 17 | 20 | 27.5 | 930 | 49000 |
| CL2-40/65 | 40 | 65 | 17 | 20 | 27.5 | 980 | 49000 |
| CL2-42/75 | 42 | 75 | 20 | 24 | 33.5 | 1580 | 75000 |
| CL2-45/75 | 45 | 75 | 20 | 24 | 33.5 | 1700 | 76000 |
| CL2-48/80 | 48 | 80 | 20 | 24 | 33.5 | 1790 | 74000 |
| CL2-50/80 | 50 | 80 | 20 | 24 | 33.5 | 1870 | 75000 |
| CL2-55/85 | 55 | 85 | 20 | 24 | 33.5 | 2390 | 88000 |
| CL2-60/90 | 60 | 90 | 20 | 24 | 33.5 | 2610 | 88000 |
| CL2-65/95 | 65 | 95 | 20 | 24 | 33.5 | 3210 | 98000 |
| CL2-70/110 | 70 | 110 | 24 | 28 | 39.5 | 4600 | 132000 |
| CL2-75/115 | 75 | 115 | 24 | 28 | 39.5 | 4900 | 131000 |
| CL2-80/120 | 80 | 120 | 24 | 28 | 39.5 | 5200 | 131000 |
| CL2-85/125 | 85 | 125 | 24 | 28 | 39.5 | 6300 | 148000 |
| CL2-90/130 | 90 | 130 | 24 | 28 | 39.5 | 6600 | 147000 |
| CL2-95/135 | 95 | 135 | 24 | 28 | 39.5 | 7900 | 167000 |
| CL2-100/145 | 100 | 145 | 26 | 33 | 47.0 | 9750 | 195000 |
| CL2-120/165 | 120 | 165 | 26 | 33 | 47.0 | 13300 | 221000 |
| CL2-140/190 | 140 | 190 | 34 | 38 | 52.0 | 21200 | 302000 |
| CL2-150/200 | 150 | 200 | 34 | 38 | 52.0 | 24500 | 329000 |
| CL2-160/210 | 160 | 210 | 34 | 38 | 52.0 | 28400 | 355000 |
| CL2-170/225 | 170 | 225 | 38 | 44 | 60.0 | 33600 | 396000 |

Locking Bush

CL 1 (self – centering)

Consists of two conical pieces and a spacer. It has minimum overall dimensions in virtue of the reduced thickness of the cones; so, CL 1 is suitable for the applications where small hubs are used. It is recommended for medium to high torques and is self – centering. CL 1 guarantees a very precise axial positioning, as no axial displacement of hub occurs during the assembly operation. Available for shaft diameters from 6 to 130mm.



| Part No | I.D | O.D | L | L1 | B | D | Torque Nm | Axial Force N |
|-------------|-----|-----|----|-----|-----|-----|-----------|---------------|
| CL1-24/34 | 24 | 34 | 25 | 45 | 51 | 56 | 270 | 22000 |
| CL1-25/34 | 25 | 34 | 25 | 45 | 51 | 56 | 280 | 22000 |
| CL1-30/41 | 30 | 41 | 25 | 45 | 51 | 62 | 510 | 33000 |
| CL1-35/47 | 35 | 47 | 32 | 52 | 58 | 69 | 790 | 45000 |
| CL1-40/53 | 40 | 53 | 32 | 52 | 58 | 75 | 900 | 45000 |
| CL1-45/59 | 45 | 59 | 45 | 70 | 78 | 86 | 1890 | 84000 |
| CL1-50/65 | 50 | 65 | 45 | 70 | 78 | 92 | 2100 | 84000 |
| CL1-60/77 | 60 | 77 | 55 | 80 | 88 | 104 | 2840 | 94000 |
| CL1-70/90 | 70 | 90 | 65 | 96 | 106 | 119 | 5250 | 150000 |
| CL1-75/95 | 75 | 95 | 65 | 96 | 106 | 126 | 5600 | 150000 |
| CL1-80/100 | 80 | 100 | 65 | 96 | 106 | 131 | 8020 | 200000 |
| CL1-90/112 | 90 | 112 | 65 | 96 | 106 | 144 | 9000 | 200000 |
| CL1-100/125 | 100 | 125 | 65 | 96 | 106 | 154 | 15000 | 300000 |
| CL1-110/140 | 110 | 140 | 90 | 128 | 140 | 180 | 16000 | 290000 |
| CL1-120/155 | 120 | 155 | 90 | 128 | 140 | 198 | 17500 | 290000 |

All dimensions in mm unless otherwise stated