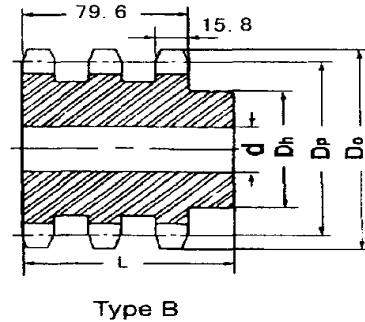
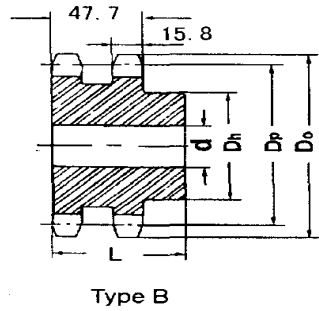
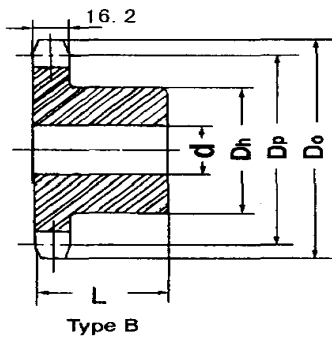
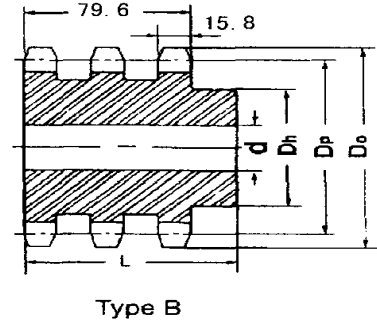
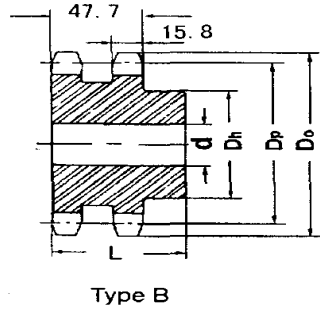
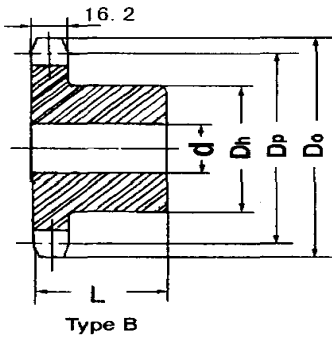


16B sprockets (1" Pitch)



No of Teeth	Pitch Dia Dp	Outside Dia Do	SINGLE-TYPE			DOUBLE-TYPE			TRIPLE-TYPE		
			Bore d	Hub Dh	L	Bore d	Hub Dh	L	Bore d	Hub Dh	L
8	66.37	77.0	16	42	35	16	42	65	20	42	95
9	74.27	85.0	16	50	35	16	50	65	20	50	95
10	82.19	93.0	16	55	35	16	56	65	20	56	95
11	90.14	99.5	16	61	40	20	64	70	25	64	100
12	98.14	109.0	16	69	40	20	72	70	25	72	100
13	106.12	117.0	16	78	40	20	80	70	25	80	100
14	114.15	125.0	16	84	40	20	88	70	25	88	100
15	122.17	133.0	16	92	40	20	96	70	25	96	100
16	130.20	141.0	20	100	45	25	104	70	30	104	100
17	138.22	149.0	20	100	45	25	112	70	30	112	100
18	146.28	157.0	20	100	45	25	120	70	30	120	100
19	154.33	165.2	20	100	45	25	128	70	30	128	100
20	162.38	173.2	20	100	45	25	130	70	30	130	100
21	170.43	181.2	20	110	50	30	130	70	30	130	100
22	178.48	189.3	20	110	50	30	130	70	30	130	100
23	186.53	197.5	20	110	50	30	130	70	30	130	100
24	194.59	205.5	20	110	50	30	130	70	30	130	100
25	202.66	213.5	20	110	50	30	130	70	30	130	100
26	210.72	221.3	20	120	50	30	130	70	30	130	100
27	218.79	229.6	20	120	50	30	130	70	30	130	100
28	226.85	237.7	20	120	50	30	130	70	30	130	100
29	234.92	245.8	20	120	50	30	130	70	30	130	100
30	243.00	254.0	20	120	50	30	130	70	30	130	100
31	251.08	262.0	25	120	50	30	140	70	30	140	100
32	259.13	270.0	25	120	50	30	140	70	30	140	100
33	267.21	278.5	25	120	50	30	140	70	30	140	100
34	275.28	287.0	25	120	50	30	140	70	30	140	100
35	283.36	296.2	25	120	50	30	140	70	30	140	100
36	291.44	304.6	25	120	50	30	140	70	30	140	100
37	299.51	312.6	25	120	50	30	140	70	30	140	100
38	307.59	320.7	25	120	50	30	140	70	30	140	100
39	315.67	328.8	25	120	50	30	140	70	30	140	100
40	323.73	336.9	25	120	50	30	140	70	30	140	100

16B sprockets (1" Pitch)



No of Teeth	Pitch Dia Dp	Outside Dia Do	SINGLE-TYPE			DOUBLE-TYPE			TRIPLE-TYPE		
			Bore d	Hub Dh	L	Bore d	Hub Dh	L	Bore d	Hub Dh	L
42	339.90	353.0	25	125	68	25	140	80	25	160	100
45	364.12	377.1	25	125	68	25	140	80	30	160	100
46	372.21	385.2	25	125	68	30	140	80	30	160	100
48	388.36	401.3	25	125	68	30	140	80	30	160	100
50	404.52	417.4	25	125	68	30	140	80	30	160	100
55	444.93	457.9	30	125	68	30	140	80	40	180	110
57	461.07	474.0	30	125	68	40	150	90	40	180	110
60	485.32	498.3	30	133	68	40	150	90	40	180	110
76	614.65	627.0	30	140	68	40	160	90	40	180	110
95	768.22	781.1	30	140	78	40	160	90	40	180	110
114	921.81	934.3	30	140	78	40	160	90	40	180	110