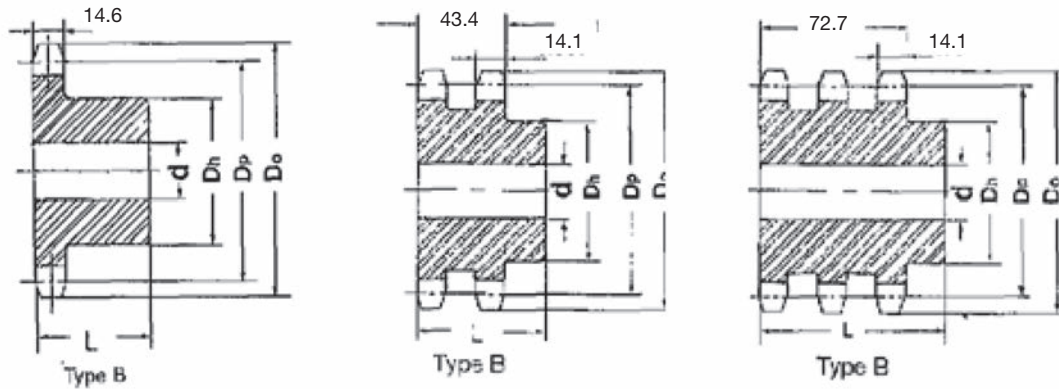
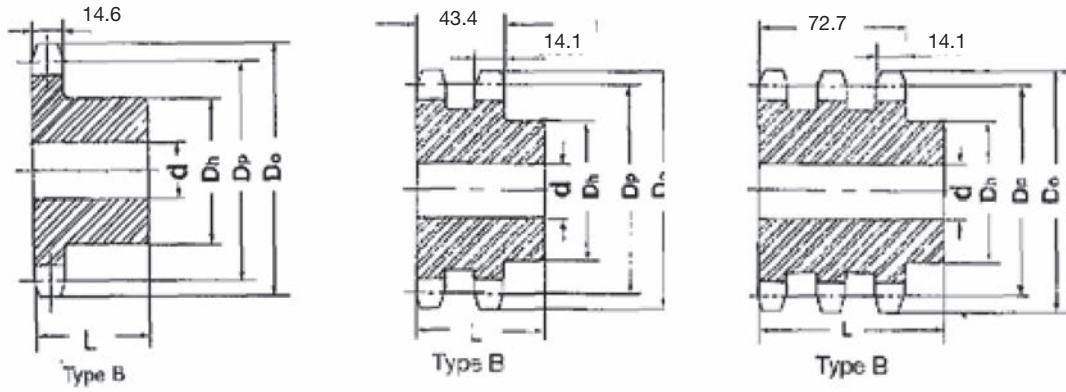


## ASA80 sprockets (1" Pitch)



No of Teeth	Pitch Dia Dp	Outside Dia Do	SINGLE-TYPE			DOUBLE-TYPE			TRIPLE-TYPE		
			Bore d	Hub Dh	L	Bore d	Hub Dh	L	Bore d	Hub Dh	L
9	74.26	85.09	25.4	57.1	41.2						
10	82.19	93.47	25.4	65.0	41.2	25.4	65.0	69.8			
11	90.17	101.85	25.4	71.4	41.2	25.4	63.5	63.5	25.4	63.5	92.0
12	98.14	109.98	25.4	79.3	41.2	25.4	72.2	63.5	25.4	72.2	92.0
13	106.14	118.36	25.4	76.2	38.1	25.4	80.1	63.5	25.4	80.1	92.0
14	114.14	126.49	25.4	82.5	38.1	25.4	88.1	63.5	25.4	88.1	92.0
15	122.17	134.62	25.4	96.8	38.1	25.4	96.4	63.5	25.4	96.4	92.0
16	130.20	143.00	25.4	101.6	38.1	25.4	101.6	69.8	25.4	101.6	98.4
17	138.22	151.13	25.4	101.6	38.1	25.4	112.3	69.8	25.4	112.3	98.4
18	146.27	159.25	25.4	107.9	38.1	25.4	120.2	69.8	25.4	120.2	98.4
19	154.33	167.38	25.4	107.9	38.1	25.4	127	69.8	25.4	127	98.4
20	162.35	175.51	25.4	107.9	38.1	25.4	127	69.8	25.4	127	98.4
21	170.43	183.89	25.4	107.9	44.4	25.4	127	69.8	25.4	127	98.4
22	178.48	192.02	25.4	107.9	44.4	25.4	127	69.8	25.4	127	98.4
23	186.53	200.15	25.4	107.9	44.4	25.4	127	69.8	25.4	127	98.4
24	194.58	208.28	25.4	107.9	44.4	25.4	133.3	69.8	25.4	133.5	98.4
25	202.66	216.40	25.4	107.9	44.4	25.4	133.3	76.2	25.4	133.5	98.4
26	210.71	224.53	31.7	120.6	50.8	25.4	133.3	76.2	25.4	133.5	98.4
27	218.79	232.66	31.7	120.6	50.8	25.4	146.0	76.2	31.7	146.0	98.4
28	226.84	240.79	31.7	120.6	50.8	25.4	146.0	76.2	31.7	146.0	98.4
29	234.92	248.92	30.1	120.6	50.8	25.4	146.0	76.2	31.7	146.0	98.4
30	243.00	256.79	30.1	120.6	50.8	25.4	146.0	76.2	31.7	146.0	107.9
31	251.05	264.92	30.1	120.6	50.8	25.4	146.0	76.2	31.7	146.0	107.9
32	259.13	273.05	30.1	120.6	50.8	25.4	146.0	76.2	31.7	146.0	107.9
33	267.20	281.17	30.1	120.6	50.8	25.4	146.0	76.2	31.7	146.0	107.9
34	275.28	289.30	30.1	120.6	50.8	25.4	146.0	76.2	31.7	146.0	107.9
35	283.36	297.43	30.1	120.6	50.8	25.4	146.0	79.3	31.7	146.0	107.9
36	291.36	305.56	30.1	120.6	50.8	31.7	146.0	79.3	31.7	146.0	107.9
37	299.51	313.69	30.1	120.6	50.8	31.7	146.0	79.3	31.7	146.0	107.9
38	307.59	321.81	30.1	120.6	50.8	31.7	146.0	79.37	31.7	146.0	107.9
39	315.67	329.94	30.1	120.6	50.8	31.7	146.0	79.37	31.7	146.0	107.9
40	323.74	338.07	30.1	120.6	50.8	31.7	146.0	79.37	31.7	146.0	107.9

## ASA80 sprockets (1" Pitch)



No of Teeth	Pitch Dia Dp	Outside Dia Do	SINGLE-TYPE			DOUBLE-TYPE			TRIPLE-TYPE		
			Bore d	Hub Dh	L	Bore d	Hub Dh	L	Bore d	Hub Dh	L
42	339.90	354.07	31.7	120.6	50.8	31.7	146.0	79.3	31.7	152.4	114.3
45	364.13	378.46	31.7	120.6	50.8	31.7	146.0	79.3	31.7	152.4	114.3
48	388.36	402.84	31.7	120.6	50.8	31.7	146.0	79.3	31.7	152.4	114.3
50	404.52	419.1	31.7	120.6	50.8						
57	461.08	475.74	31.7	133.3	50.8						
76	614.62	629.41	31.7	133.3	50.8						
95	768.23	783.08	31.7								
114	921.81	936.75	31.7								